

CVM-C10

Power Analyzer for panel



Description

The **CVM-C10** is a power analyzer for 96x96 mm panels with a compact energy log and four-quadrant measurement (consumption and generation). Suitable for medium- and low-voltage installations in three-phase circuits with three or four wires, two-phase circuits with or without neutral, ARON connections or single-phase circuits.

Display features and interface:

- Quick display using a single button
- Capacitive keypad with three keys
- Backlit high-contrast LCD screen

Other features:

- Modbus RS-485 serial channel connection
- 2 transistor outputs configurable for impulses or alarms
- 2 relay outputs configurable as alarms
- 2 digital inputs for selecting three tariffs or detecting logical states
- Allows for tariff selection through communications
- Precision class 0.5 in voltage and current; 1 in power and energy

Applications

- Measurement in medium- and low-voltage installations
- Measurement in three-phase circuits (three or four wires), two-phase circuits (with or without neutral), single-phase circuits and ARON

Technical features

Power circuit	Input voltage	85 to 265 V AC / 95 to 300 V DC
Measurement circuit	Voltage	300 V AC p-n / 520 V AC p-p
	Frequency	50 / 60 Hz
	Current	ITF ... /5 A and /1 A MC ... /250 mA
Accuracy class	Sampling rate	64 samples/cycle
	V, A	0.5%
	kW, kWh	1%
Display of harmonics, up to the	V, A	31st order harmonic
Communications	Protocol	RS-485 Modbus/RTU
	Speed	9600, 19200, 38400
	Bit, parity, stop	8, n, 1
Outputs	2 digital outputs	S0 interface Up to 1000 impulses 2 NPN transistors (3 CT version only) (24 V DC max, 50 mA, 5 imp/s, Max Ton/Toff 100/100 ms)
	2 relay outputs	Max / Min / No / NC / Interlocking 250 VAC, 6 A
Inputs	2 digital inputs	Tariff selection or external alarms NPN, optocoupled
Mechanical features	Enclosure	VO self-extinguishing plastic
	IP Degree of protection	Front: IP65 Rear: IP20
	Dimensions	96 x 96 x 60.9 mm
Environmental conditions	Operating temperature	-10 °C to +50 °C
	Relative humidity	5% to 95%
	Maximum altitude	2000 m
Safety	Class III according to EN 61010 Protection against electric shock by double insulation Class II	
Standards	IEC 61000, IEC 61000-4-3, IEC 610004-11, IEC 61000-4-4, IEC 610004-5, Measurement according to MID, UL	

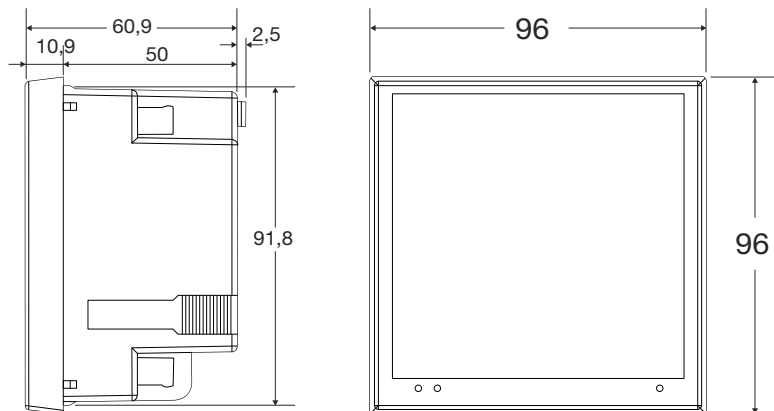
CVM-C10

Power Analyzer for panel

References

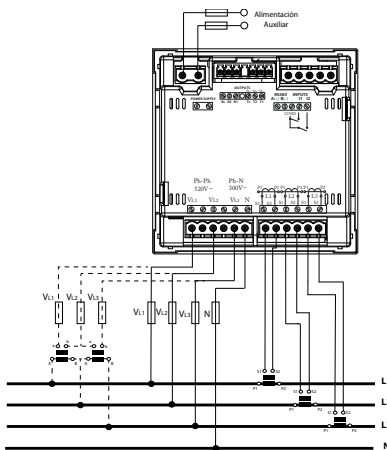
Current-measurement channels	Current input	Type	Code
3	/5 or /1 A	CVM-C10-ITF-485-ICT2	M55911
3	/250 mA	CVM-C10-MC-485-ICT2	M55921
4	/5 or /1 A	CVM-C10-ITF-IN-485-IC2	M55942

Dimensions

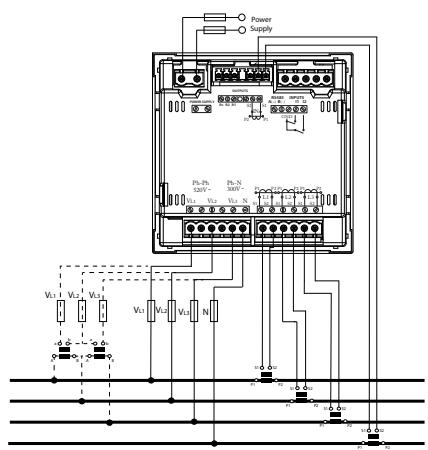


Connections

Three-phase connection + neutral
with or without voltage transformers



Three phase connection + neutral with 4 CT
(only for model CVM C10-ITF-IN)



Single-phase connection
with or without voltage transformers

