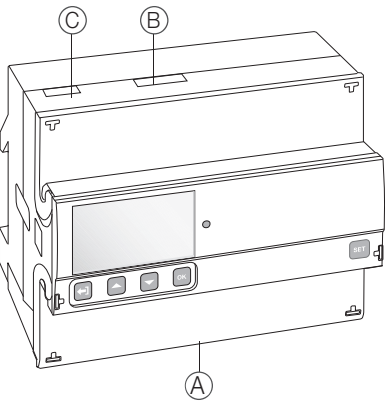
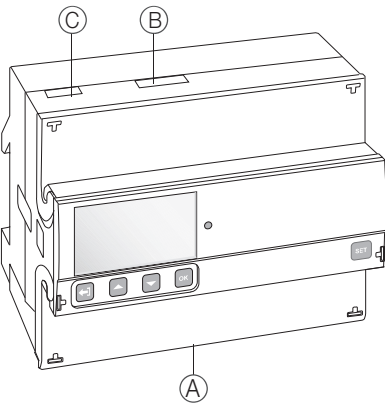
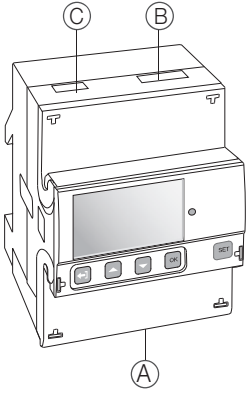


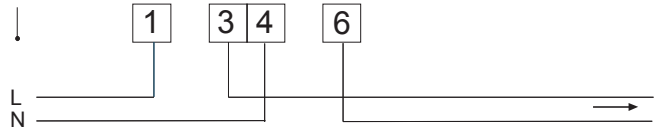
A series Wiring diagram

2

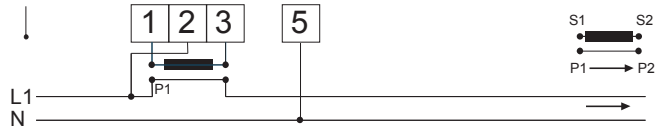


Terminal blocks (A) = Please see the pictures

A41

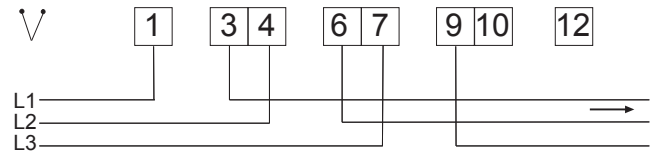


A42

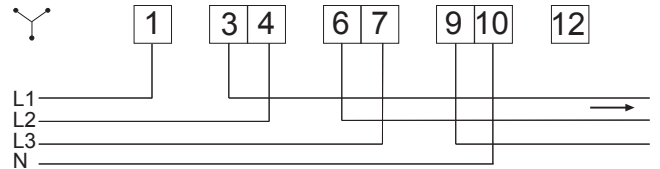


A43

3 wire connection, 2 elements

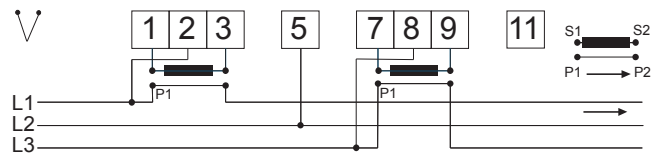


4 wire connection, 3 elements

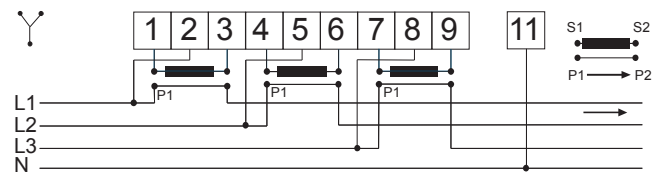


A44

3 wire connection, 2 elements



4 wire connection, 3 elements

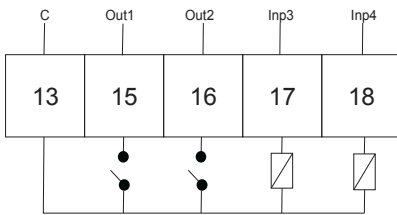


A series

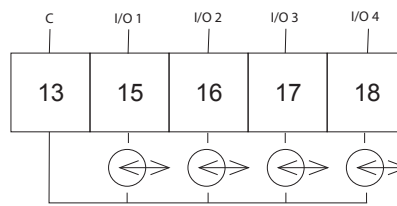
Inputs/outputs and communication

Inputs/Outputs (B) = Please see the pictures on page 20

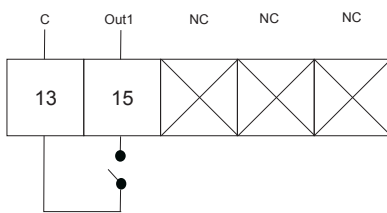
2 outputs, 2 inputs



4 Configurable inputs/outputs

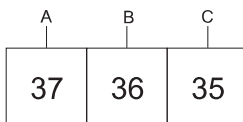


1 output



Communication (C) = Please see the pictures on page 20

RS-485



M-Bus

