



## SHM Miniclip Split-core Current Transformer SCCT-1 Data Sheet

### Product description

The very compact SCCT-1 split-core current transformer (CT) from SHM is specially designed for connection to digital measurement systems. The SCCT-1 is supplied with colour coded 5m lead. All CTs are capable of supplying a burden of 0.2VA at the end of the cable.

Correct mounting of the CT is assured by a distinct sound of a 'click'. For additional fixings two UV-resistant tie wraps are supplied that are easily mounted around the primary conductor.

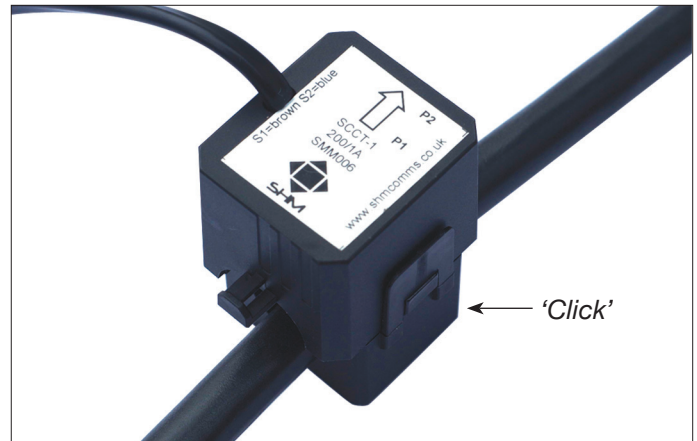
### Ordering specifications

Ratio	Class	Burden	Part number
60/1A	3	0.2VA	SCCT-1-601
100/1A	3	0.2VA	SCCT-1-1001
150/1A	3	0.2VA	SCCT-1-1501
200/1A	3	0.2VA	SCCT-1-2001

### Technical specifications

<b>Ith</b>	60*In/1s
<b>Continuous current</b>	120%
<b>Insulation class</b>	E (max120°C)
<b>Protection degree</b>	IP20
<b>Ambient temperature</b>	-5...+40°C
<b>Primary conductor</b>	Isolated cable Ø18mm
<b>Secondary leads</b>	L = 5m cable 0.75mm <sup>2</sup>
<b>Material</b>	PVC

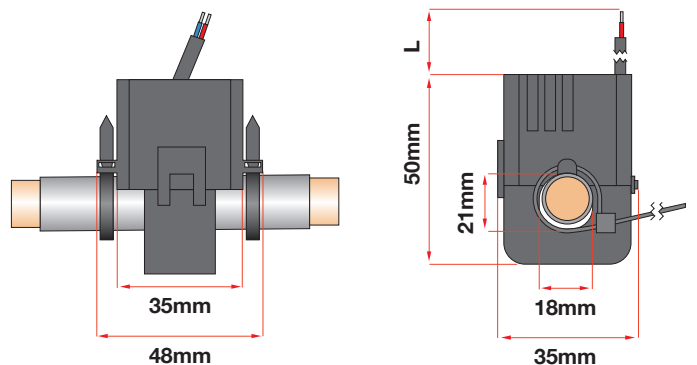
Above table indicates the power error for energy management



### Accuracy

Ratio	Current error 5-120%In	Phase displacement @100%In	Combined error @100%In
60/1A	<2%	>350"	<1%
100/1A	<1%	>250"	<1%
150/1A	<1%	>175"	<0.5%
200/1A	<0.8%	>150"	<0.2%

### Dimensions



While SHM has made every reasonable effort to ensure the accuracy of the information in this document, SHM does not guarantee that it is error-free, nor does SHM make any other representation, warranty or guarantee that the information is accurate, correct, reliable or current. SHM reserves the right to make any adjustments to the information contained herein at any time without notice. SHM expressly disclaims all implied warranties regarding the information contained herein, including, but not limited to, any implied warranties of merchantability or fitness for a particular purpose. The dimensions in this document are for reference purposes only and are subject to change without notice. Specifications are subject to change without notice. Consult SHM for the latest dimensions and design specifications.

**SHM Communications Ltd**  
Valley House  
6 Winnall Valley Road  
Winchester  
SO23 0LD, UK

**Phone: +44 (0) 1962 865142**  
**Fax: +44 (0) 1962 862451**  
**Email: sales@shmcomms.co.uk**  
**www.shmcomms.co.uk**  
**www.shmmetershop.co.uk**

